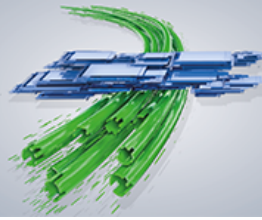


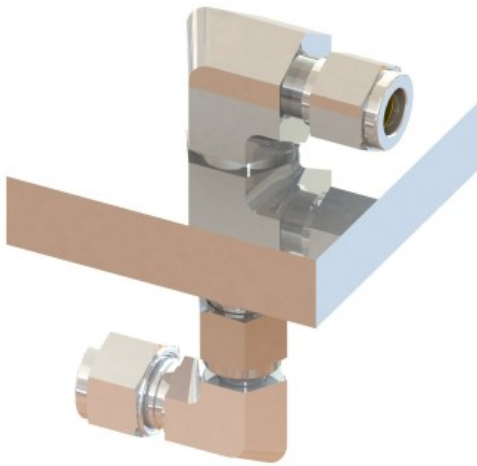


InnoTrans 2018
18-21 SEPTEMBER
BERLIN



**INNOVATIONS
AND TRENDS**

Across frame connectors



Across Frame Connector fitment on a panel

Fluid Controls' Across Frame Connectors are custom-designed double ferrule combination fittings with a bulkhead application at one end and a swivelling action at the other. They are used to connect pipelines separated by a panel, such as connections between the shell and bogie. The swivelling action ensures that these connectors can be installed at any orientation, and the bulkhead connection allows the height of fittings to be adjusted to the tubing. Across Frame Connectors can also be used to join tubing of different material and the use of washers ensures vibration resistant joints. Across Frame Connectors offer easy installation and eliminate welding processes. End connections of these connectors are tested and validated to ASTM F1387 standards.

Fluid Controls Private Limited

India - Mumbai

10.2, 207

Contact: Sophie Moochhala

Phone: +91 9820 547944

sophie@fluidcontrols.com

www.fluidcontrols.com

Subject to further change